



CORNWELL[®]
QUALITY TOOLS

MMW5100VG



***Auto Darkening
Welding Helmet***



CORNWELL[®]
QUALITY TOOLS

**Professional Quality
Welding Helmet**

SAFETY WARNINGS - READ BEFORE USING



WARNING

Read & Understand All Instructions Before Using



Auto-Darkening welding helmets are designed to protect the eye and face from sparks, spatter and harmful radiation under normal welding conditions. Auto-Darkening filter automatically changes from a light state to a dark state when an arc is struck and it returns to the light state when welding stops.

Auto-Darkening welding helmets come ready for use. The only thing you need to do before your welding is to adjust the position of the headband and select the correct shade number for your application.



WARNING



- This Auto-Darkening welding helmet is not suitable for laser welding and oxyacetylene welding / cutting processes.
- Never place this helmet and Auto-Darkening filter on a hot surface.
- Never open or tamper with the Auto-Darkening filter.
- This Auto-Darkening welding helmet will not protect against severe impact hazards.
- This helmet will not protect against explosive devices or corrosive liquids.
- Don't make any modifications to either the filter or helmet, unless specified in this manual. Don't use replacement parts other than those specified in this manual. Unauthorized modifications and replacement parts will void the warranty and expose the operator to the risk of personal injury.
- Should this helmet not darken upon striking an arc, stop welding immediately and contact your supervisor or your dealer.
- Don't immerse the filter in water.
- Don't use any solvents on the filter screen or helmet components.
- Use only at temperatures: -10 °C ~ +55 °C (14 °F ~ 131 °F).
- Storing temperature: -20 °C ~ +70 °C (-4 °F ~ 158 °F). The helmet should be stored in dry cool and dark area, when not using it for a long time.
- Protect filter from contact with liquid and dirt.
- Clean the filter surface regularly; don't use strong cleaning solutions. Always keep the sensors and solar cells clean using a clean lint-free tissue.
- Regularly replace the cracked / scratched / pitted front cover lens.
- The materials which may come into contact with the wearer's skin can cause allergic reactions in some circumstances.



WARNING

Severe personal injury could occur if the user fails to follow the above mentioned warnings and/or fails to follow the operating instructions.



COMMON PROBLEMS AND REMEDIES

• Irregular Darkening Dimming

Headband has been set unevenly and there is an uneven distance from the eyes to the filter lens (Reset the headband to reduce the difference to the filter).

• Auto-Darkening filter does not darken or flickers

- ① Front cover lens is soiled or damaged (Change the cover lens).
- ② Sensors are soiled (Clean the sensors surface).

• Slow response

Operating temperature is too low (Do not use at temperatures below -10 °C or 14 °F).

• Poor vision

- ① Front / inside cover lens and/or the filter is soiled (Change lens).
- ② There is insufficient ambient light.
- ③ Shade number is incorrectly set (Reset the shade number).
- ④ Check if removing the film on the front cover lens.

• Welding helmet slips

Headband is not properly adjusted (Readjust the headband).



WARNING



The user must stop using the auto-darkening welding helmet immediately if the above-mentioned problems cannot be corrected. Contact the dealer.

INSTRUCTIONS FOR USE

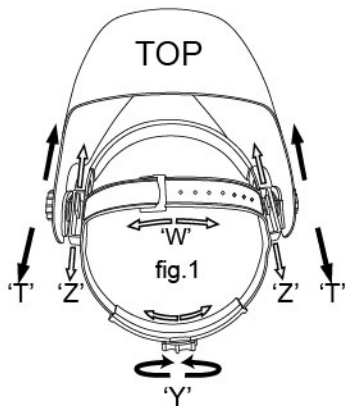
WARNING! Before using the helmet for welding, ensure that you have read and understood the safety instructions.

• ADJUSTING THE FIT OF THE HELMET

The overall circumference of the headband can be made larger or smaller by rotating the knob on the back of the headband (See adjustment "Y" in fig.1). This can be done whilst wearing the helmet and allows just the right tension to be set to keep the helmet firmly on the head without it being too tight.

• If the headband is riding too high or too low on your head, adjust the strap which passes over the top of your head. To do this, release the end of the band by pushing the locking pin out of the hole in the band. Slide the two portions of the band to a greater or lesser width as required and push the locking pin through the nearest hole (See adjustment "W" in fig.1).

• Test the fit of the headband by lifting up and closing down the helmet a few times while wearing it. If the headband moves while tilting, re-adjust it until it is stable.



• ADJUSTING THE DISTANCE BETWEEN THE HELMET AND THE FACE

Step 1: Undo the block nut (See "T" in fig.1) to adjust the distance between the helmet and your face in the down position.

Step 2: Loosen the block nut on either side of the helmet and slide it nearer or further from your face. (See adjustment "Z" in fig.1). It is important that your eyes are each the same distance from the lens. Otherwise the darkening effect may appear uneven.

Step 3: Re-tighten the block nut when adjustment is complete.



fig.2

• ADJUSTING VIEW ANGLE POSITION

Please see fig.2.

• SELECTING SHADE LEVEL

Select the shade level you require according to the welding process you will use by referring to the "Shade Guide Table" below for settings. Turn the shade control knob on the side of the helmet to the shade number required.

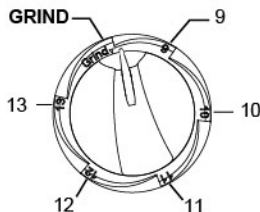


fig.3

• SELECTING THE GRIND OPTION

When the shade knob is turned to the "Grind" position, the shade function is turned off allowing a clear view to grind a weld with the helmet providing face protection. Before restarting welding work, ensure that the shade function is turned back on before welding again.(See fig.3)

• You are now ready to use the helmet. The shading may be adjusted during use by re-setting the potentiometer control.

SHADE GUIDE TABLE

GUIDE FOR SHADE NUMBERS

OPERATION	ELECTRODE SIZE (in.)	ARC CURRENT (A)	MINIMUM PROTECTIVE SHADE	SUGGESTED ⁽¹⁾ SHADE NO. (COMFORT)
Shielded metal arc welding	Less than 3/32	Less than 60	7	—
	3/32 - 5/32	60-160	8	10
	5/32 - 1/4	160-250	10	12
	More than 1/4	250-550	11	14
Gas metal arc welding and flux cored arc welding		Less than 60	7	—
		60-160	10	11
		160-250	10	12
		250-500	10	14
Gas tungsten arc welding		Less than 50	8	10
		50-150	8	12
		150-500	10	14
Air carbon Arc cutting	(Light)	Less than 500	10	12
	(Heavy)	500-1000	11	14
Plasma arc welding		Less than 20	6	6 to 8
		20-100	8	10
		100-400	10	12
		400-800	11	14
Plasma arc cutting	(Light) ⁽²⁾	Less than 300	8	8
	(Medium) ⁽²⁾	300-400	9	12
	(Heavy) ⁽²⁾	400-800	10	14
Torch brazing		—	—	3 to 4
Torch soldering		—	—	2
Carbon arc welding		—	—	14

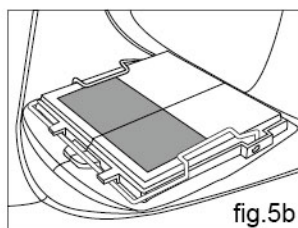
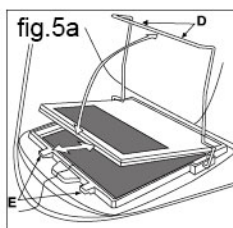
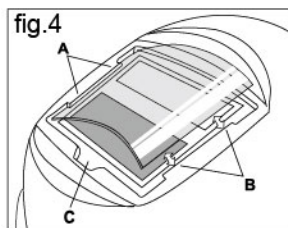
⁽¹⁾ As a rule of thumb, start with a shade that is too dark, then go to a lighter shade which gives sufficient view of the weld zone without going below the minimum.

⁽²⁾ These values apply where the actual arc is clearly seen. Experience has shown that lighter filters may be used when the arc is hidden by the work piece.

Data from ANSI Z49.1-2005

MAINTENANCE

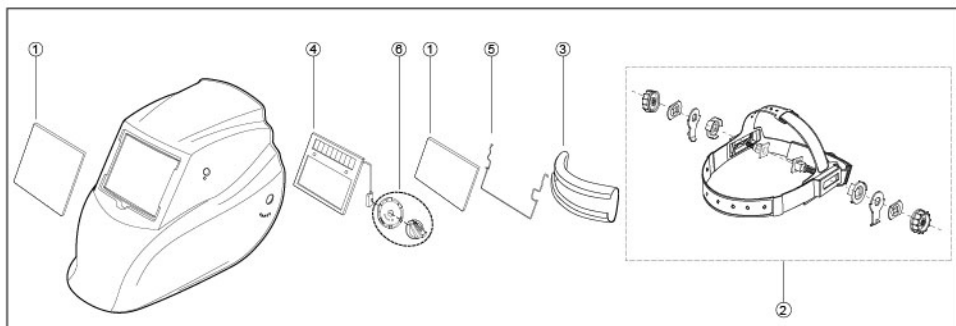
- **REPLACE THE FRONT COVER LENS.** Replace the front cover lens if it is damaged (cracked, scratched, dirty or pitted). Place your finger or thumb into the recess at the bottom edge of the window and flex the window upwards until it releases from one edge (See fig.4).
- **REPLACE THE INNER COVER LENS.** If it is damaged (cracked, scratched, dirty or pitted).
- **CHANGING THE SHADE CARTRIDGE** (See figs.5a & 5b).
- **INSTALLING NEW CARTRIDGE.** Take the new shade cartridge and pass the potentiometer cable under the wire loop before dropping the cartridge into its retaining frame inside the helmet. Press down the wire loop clip and ensure that the front edge of the loop is properly retained under the retaining lugs as shown in fig.5b.
- Fasten the potentiometer to the inside of the helmet with the shaft protruding through the hole. Push the shade control knob onto the shaft.
- **CLEANING.** Clean helmet by wiping with a soft cloth. Clean cartridge surfaces regularly. Do not use strong cleaning solutions. Clean sensors and solar cells with methylated spirit and a clean cloth and wipe dry with a lint-free cloth.



TECHNICAL SPECIFICATIONS

Viewing Area:	98x44mm (3.86"x1.73")
Cartridge Size:	110x90x9mm (4.33"x3.54"x0.35")
Arc Sensor:	2
Light State:	DIN 3.5
Dark State:	DIN 9 ~ 13
Shade Control:	External, Variable Shade
Power On/Off:	Fully Automatic
UV/IR Protection:	Up to Shade DIN16 at all times
Power Supply:	Solar cell. No battery change required
Switching Time:	1/25,000 s. from Light to Dark
Low Amperage TIG Rated:	≥ 10 amps (DC); ≥ 10 amps (AC)
Grinding:	Yes
Operating Temp.:	-10 °C ~ +55°C (14 °F ~ 131 °F)
Storing Temp.:	-20 °C ~ +70°C (-4 °F ~ 158 °F)
Helmet Material:	High Impact Resistance Nylon
Total Weight:	1.1 Lbs
Application Range:	Stick Welding (SMAW); TIG DC&AC; TIG Pulse DC; TIG Pulse AC; MIG/MAG/CO2; MIG/MAG Pulse; Plasma Arc Cutting (PAC); Plasma Arc Welding (PAW); Air Carbon Arc Cutting (CAC-A); Grinding ANSI Z87.1, CSA Z94.3
Approved:	

PARTS LIST & ASSEMBLY



Reference Number	Description	Part No.
1	Cover lens kit (4 outer/2 inner)	MMWLK55
2	Headgear	MMWHG1
3	Sweatband	MMWSB1
4	Replacement lens	MMWRL55
5	Retaining wire	MMWRW5+7
6	Shade control knob	MMWCK55



Cornwell Quality Tools
667 Seville Rd
Wadsworth, OH 44281
www.cornwelltools.com
800-321-8356
made in China